

OMRON



i4L SCARA Robot

INTEGRATED | INTELLIGENT | INTERACTIVE

Introducing the next generation i4L

SCARA robots from Omron



The i4L is a compact SCARA (Selective Compliance Assembly Robot Arm) robot that offers strong performance, a flexible design that makes it simple to install and easy to use features that help maximize productivity.



Optimal Performance

The i4L provides exceptional performance for a light-duty robot thanks to its high-end inertia and repeatability.



Maximize Productivity

High-speed motion helps expedite material handling and reduces costs while allowing employees to focus on creative work.



Simple Integration

Compact footprint and choice of horizontal or vertical mounting makes the i4L an easy addition to existing applications.

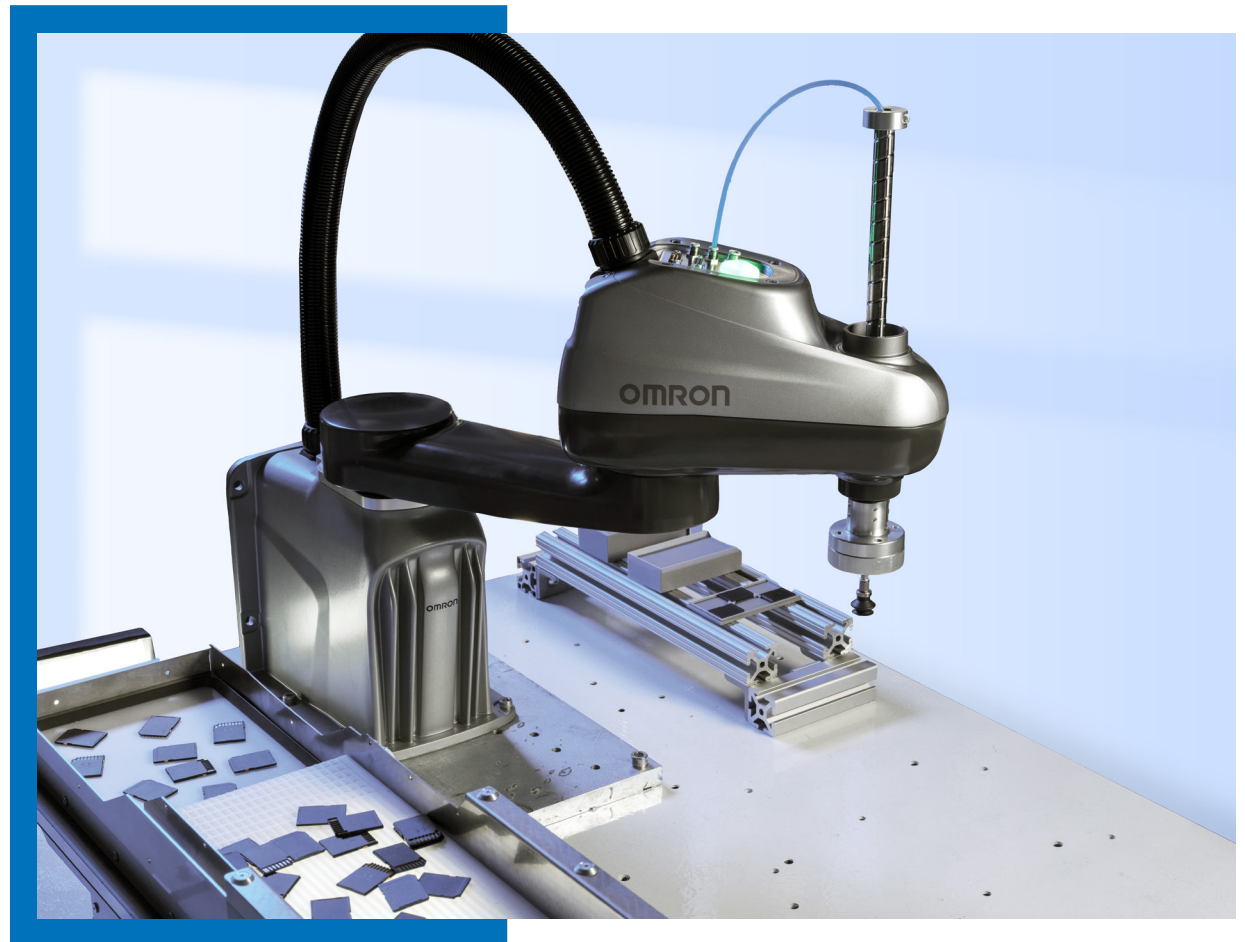
Optimal Performance

for light duty applications

Segment leading performance

The i4L series features high inertia and high duty ratings which are uncommon to lighter duty SCARA robots. Combined with a 5kg payload and a high degree of repeatability, the i4L can tackle more challenging processes with ease and without fear of unexpected faults.

- Fast cycle times with high duty ratings ensure sustained throughput performance
- Powerful servos motors handle payloads up to 5kg with ease
- Advanced and robust industrial design provides years of worry-free operation



Maximize productivity

Tools to get more done



Easy to use features that help maximize productivity

Programmed with Omron's renowned "Automation Control Environment" software package (ACE) i4L users can enjoy a powerful yet easy to use suite of programming tools. Menu guided wizards for motion, vision, and process programming make application setup a breeze, and if needed, the open architecture of the eV+ language enables a significant level of customization enabling users to get the most out of the i4L's operation.

Interactive maintenance alarms alert users of service intervals and in conjunction with the i4L's high visibility, customizable, multi-colored LED dome light, helps users to diagnose problems more quickly by providing an intuitive, at-a glance visual indication of the robot status.

These features help to maximize productivity by:

- Reducing deployment time
- Enabling application specific operation
- Minimizing unplanned downtime
- Simplifying maintenance
- Preventing accidents before they happen

Simple integration

Mounting options maximize flexibility

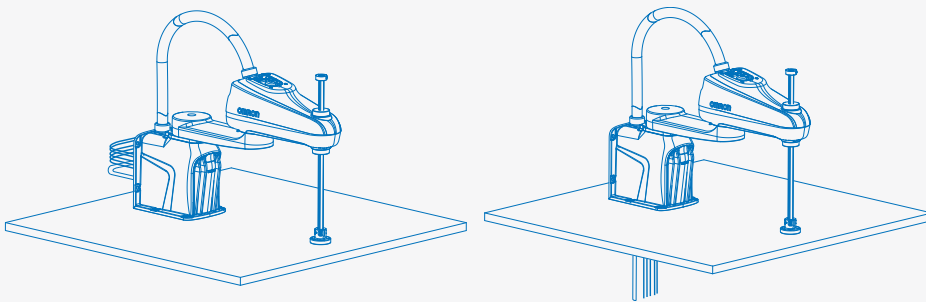
Get to work faster with flexible and easy to use installation features

Out-of-the-box, the i4L is ready to be table or wall mounted and offers options for rear or bottom cable routing which provides the installation flexibility to best suit the application need. The controller is conveniently integrated inside of the robot which eliminates the requirement for extra floor space. The i4L is also equipped with standard, built-in connections for communications, I/O and pneumatics making connection to other automation devices easy.

Mounting Options

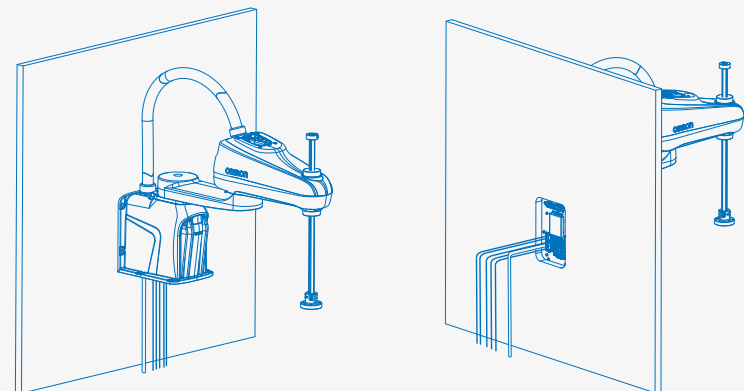
Table Mount

The i4 can be wired through, or behind the table mount. See the datasheet for additional information.



Wall Mount

The i4 can be wired through, or behind the wall mount. See the datasheet for additional information.



Automate

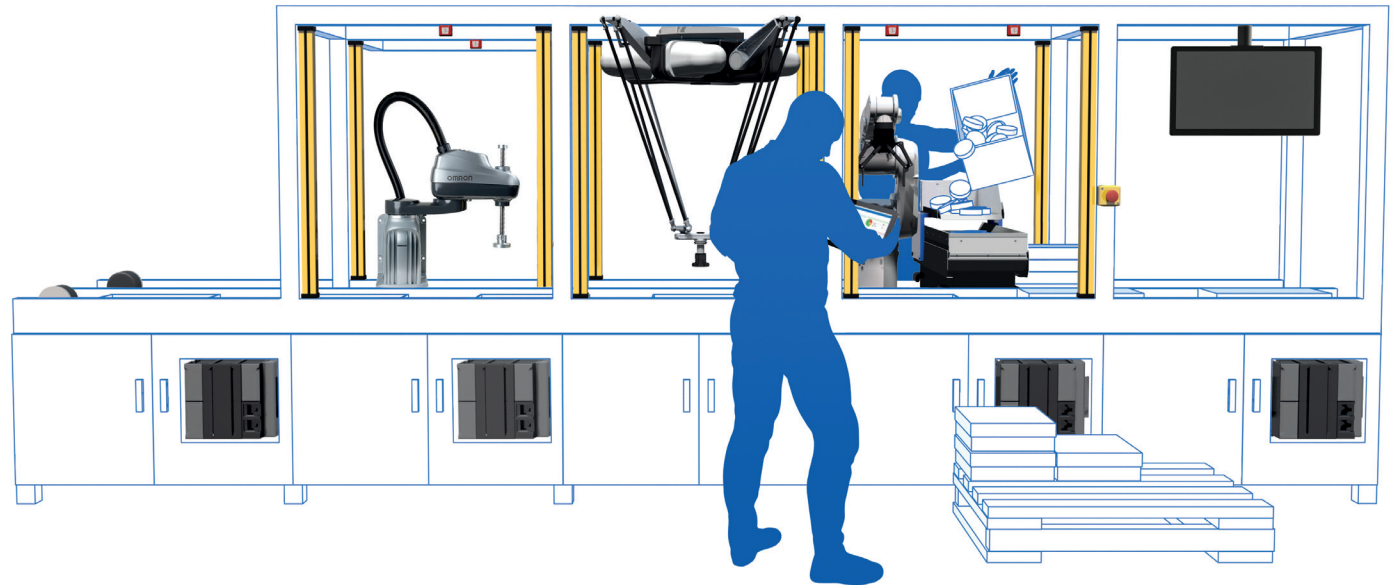
your production line with Omron

Get to know the full offering of Omron automation products

The portfolio of products from Omron is second to none, with industry leading offerings in every automation category. The i4L further strengthens this offering and is designed to easily integrate with other Omron products to create complete automation solutions for industry. Contact our team of automation solution experts today to learn more about how the i4L Series and our expansive portfolio of automation products can help you to achieve your automation goals.

Major product categories:

- Industrial and Mobile Robotics
- Motion and Drives
- Machine Automation Controllers
- Machine Vision
- Safety
- I/O
- Sensing
- Switchgear
- Software



Technical details

i4-350L, i4-450L, i4-550L



i4-350L

Reach 350mm
 Max. Payload: 5kg
 Quill Length: 180mm
 Repeatability (XY, Z, Theta)mm: ± 0.01
 Cycle Times (s)
 0.54 Burst
 0.57 Sustained
 0.45 Blended Burst



i4-450L

Reach 450mm
 Max. Payload: 5kg
 Quill Length: 180mm
 Repeatability (XY, Z, Theta)mm: ± 0.01
 Cycle Times (s)
 0.48 Burst
 0.57 Sustained
 0.42 Blended Burst



i4-550L

Reach 550mm
 Max. Payload: 5kg
 Quill Length: 180mm 350mm
 Repeatability (XY, Z, Theta)mm: ± 0.01
 Cycle Times (s)
 0.48 Burst
 0.54 Sustained
 0.42 Blended Burst



OMRON AUTOMATION AMERICAS HEADQUARTERS • Chicago, IL USA • 847.843.7900 • 800.556.6766 • automation.omron.com

OMRON CANADA, INC. • HEAD OFFICE

Toronto, ON, Canada • 416.286.6465 • 866.986.6766 • automation.omron.com

OMRON ELECTRONICS DE MEXICO • HEAD OFFICE

Ciudad de México • 52.55.5901.4300 • 01.800.386.6766 • mela@omron.com

OMRON ELECTRONICS DE MEXICO • SALES OFFICE

San Pedro Garza García, N.L. • 81.12.53.7392 • 01.800.386.6766 • mela@omron.com

OMRON ELECTRONICS DE MEXICO • SALES OFFICE

Eugenio Garza Sada, León, Gto • 01.800.386.6766 • mela@omron.com

OMRON ELETRÔNICA DO BRASIL LTDA • HEAD OFFICE

São Paulo, SP, Brasil • 55 11 5171-8920 • automation.omron.com

OMRON ARGENTINA • SALES OFFICE

Buenos Aires, Argentina • +54.11.4521.8630 • +54.11.4523.8483
mela@omron.com

OTHER OMRON LATIN AMERICA SALES

+54.11.4521.8630 • +54.11.4523.8483 • mela@omron.com